

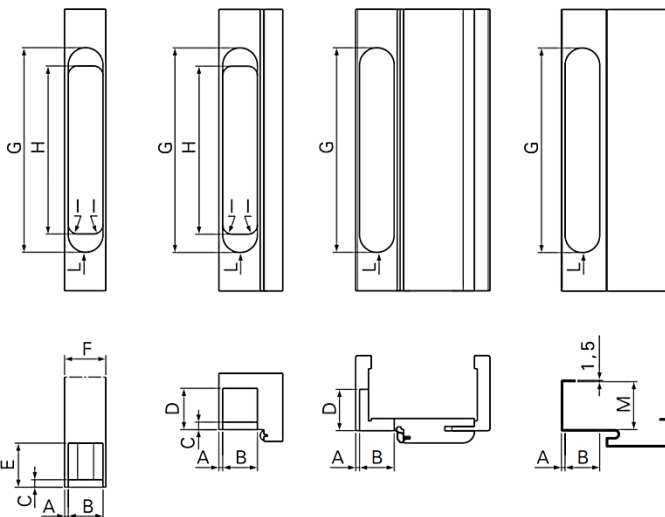
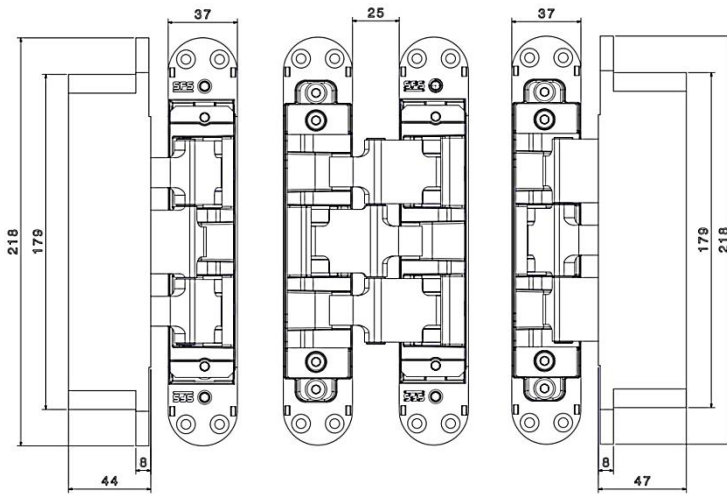
W-Tec 3DL Heavy Duty Concealed Hinge

Door weight (max 200kg with 2 pcs) or (max 230kg with 4 pcs)
For heavy duty doors

Designers are continually demanding ever higher performance from extremely heavy doors. Thanks to its internal 7-axis mechanism and the special shape of its exceptionally strong levers, the W-Tec 3DL is totally stable and secure.

Features

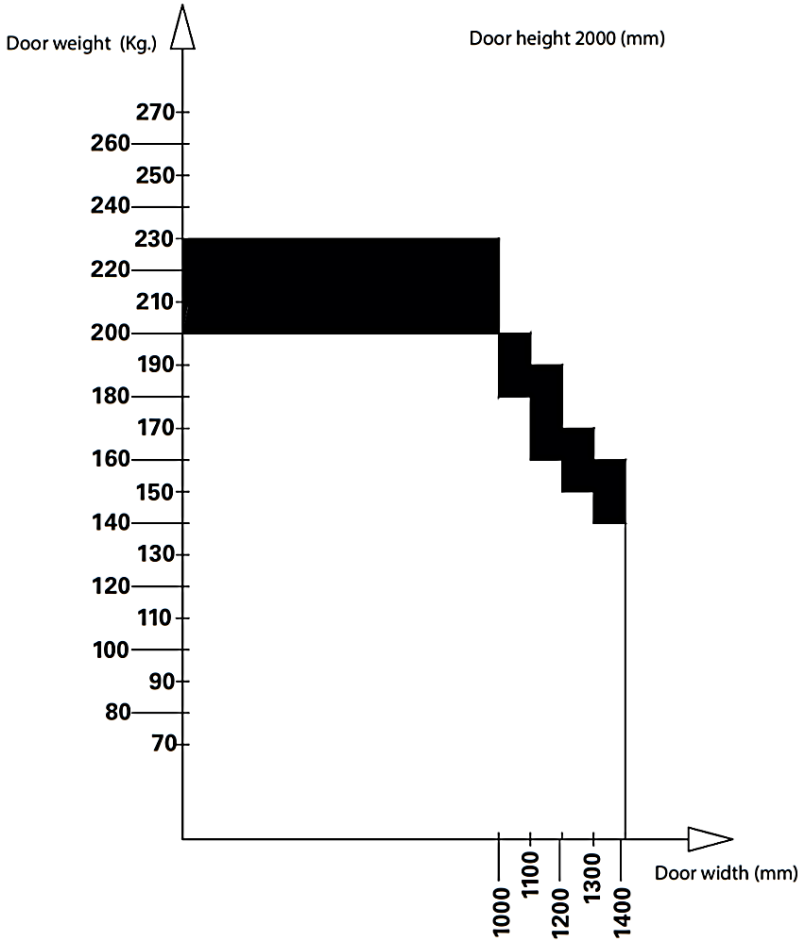
- Applicable on doors and frames with cladding up to 8mm or if door needs to avoid a cover profile
- Suitable for timber, steel and cover frames
- Load capacity up to 230kg with 4 hinges, available in a wide range of colours on request
- Adjustments are easy and all independent from each other, $\pm 3\text{mm}$ adjustable laterally and in height, and $\pm 1\text{mm}$ adjustable in gasket pressure
- To facilitate door assembly, the frame can be fixed separately with the hinge support already applied.



A	min. 4 / max. 8
B	37
C	8
D	44
E	47
F	min. 40 + A
G	218
H	179
I	10
L	18.5
M	min. 48

Part No.	Finish	Door Weight	
1558802	Zinc GSS	Max. 200 kg / 2 pcs	Max. 230 kg / 4 pcs
1558801	Matt Chrome		

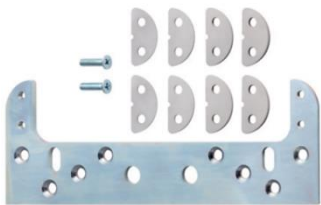
Load Capacity



Applied hinges: 2
4

Kit

Kit reinforcing plate for cover frame



Part No.
1558328

Jig

Milling jig with insert



Part No.
1558749

Support

Support for steel frame



Part No.
1558326

CONCEALED HINGES

